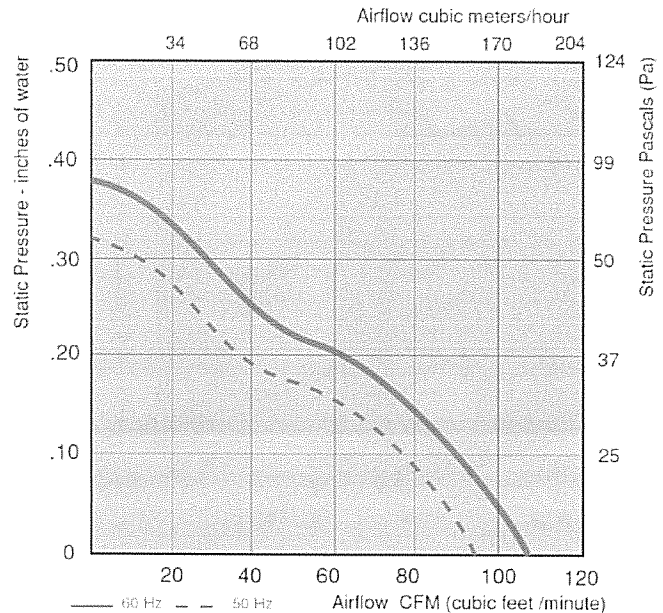
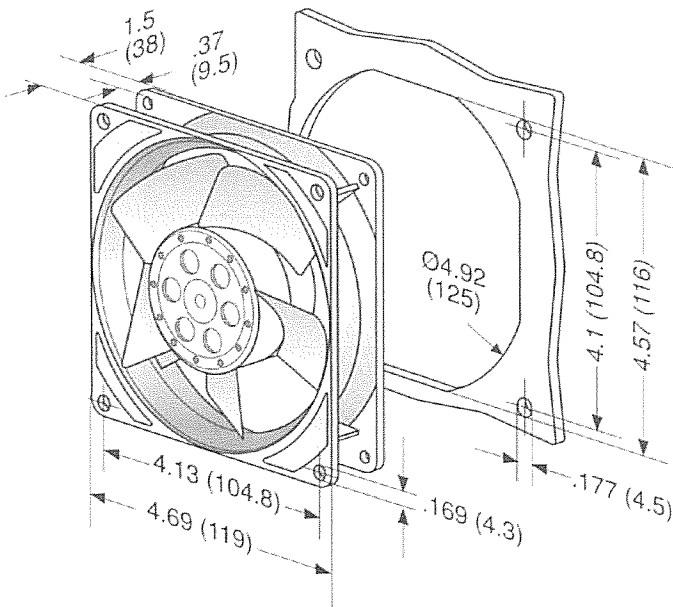


**4600X Series
Tubeaxial**

**119 x 119 x 38mm (4.7 x 1.5 inch) AC fan,
metal housing, metal impeller. Air intake
over struts (except for 4840N and 4890N).
UL, CSA, VDE approvals**

Part Number	CFM @ 0	Curve	Volts	Hertz	Watts	dBa	Temp. Max C	Wgt. (oz)	Type Of Bearing	Features
4650X	106	2	230	50/60	18	50	60	19	Sintec	Terminals
4656X	106	2	230	50/60	18	51	90	19	Ball	Terminals
4600X	106	2	115	50/60	18	50	60	19	Sintec	Terminals
4600XP	106	2	115	50/60	18	50	60	19	Sintec	Terminals
4606X	106	2	115	50/60	18	51	90	19	Ball	Terminals



E-mail: sales@ebm.com • TEL: 860-674-1515 • FAX: 860-674-8536

ebm Industries, Inc., 100 Hyde Road, Farmington, CT 06034 USA

ebm Industries, Inc., 2000, 2001 · ebm Industries, Inc. reserves the right to change any specifications or data without notice